

# PRODUCT INFORMATION PACKET

Model No: 048C17F2001

Catalog No: F202

Auger Drive Motor, 0.50 & 0.50 HP, 1 Ph, 60 & 50 Hz, 115/208-230 & 110/220 V, 1800 & 1500 RPM,  
48NZ Frame, TEFC



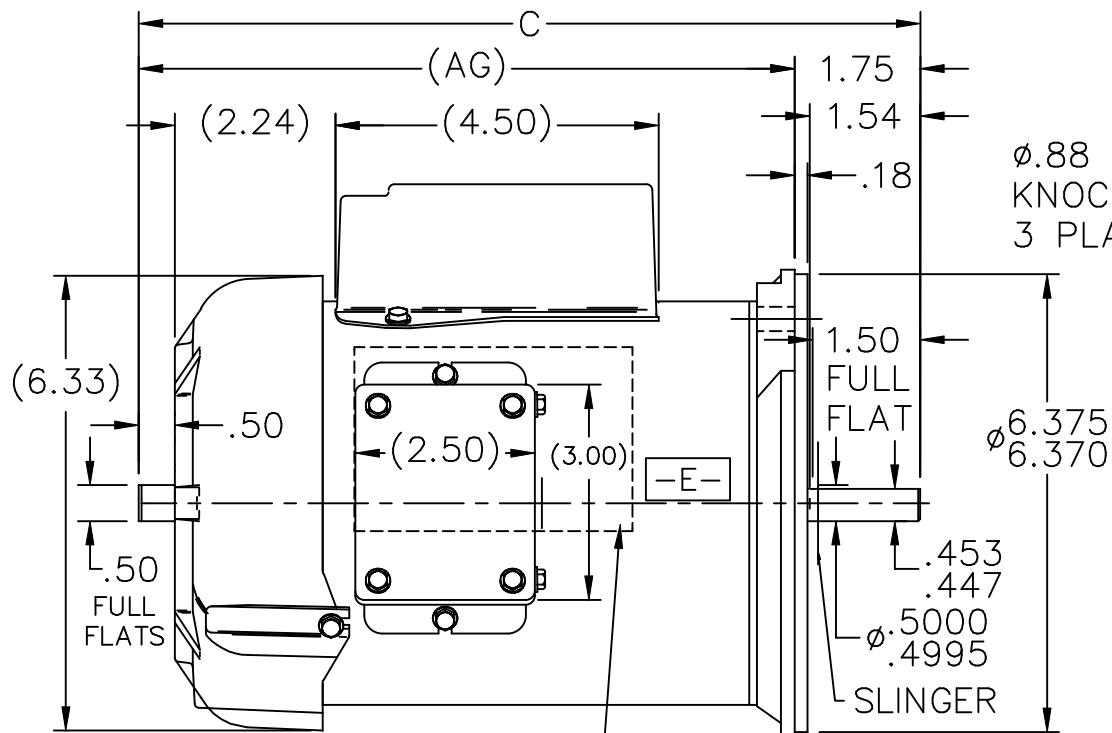
Regal and Marathon are trademarks of Regal Rexnord Corporation or one of its affiliated companies.  
©2024 Regal Rexnord Corporation, All Rights Reserved. MC017097E

### Nameplate Specifications

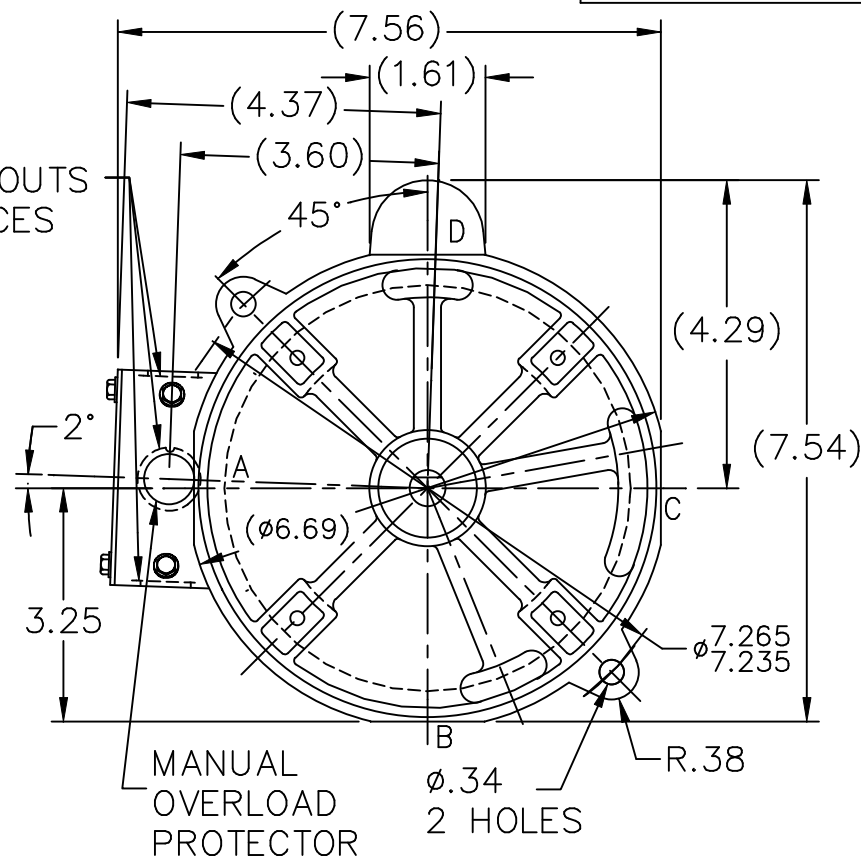
Phase	1	Output HP	0.50 & 0.50 Hp
Output KW	0.37 & 0.37 kW	Voltage	115/208-230 & 110/220 V
Speed	1725 & 1425 rpm	Service Factor	1.0 & 1.0
Frame	48NZ	Enclosure	Totally Enclosed Fan Cooled
Thermal Protection	Manual	Efficiency	68 & 66 %
Ambient Temperature	40 °C	Frequency	60 & 50 Hz
Current	6.4/3.5-3.2 & 9999/9999 A	Power Factor	72
Duty	Continuous	Insulation Class	F
Design Code	L	KVA Code	J
Drive End Bearing Size	6203	Opp Drive End Bearing Size	6203
UL	Recognized	CSA	Y
CE	Y	IP Code	43
Number of Speeds	1		

### Technical Specifications

Electrical Type	Capacitor Start Induction Run	Starting Method	Across The Line
Poles	4	Rotation	Selective Counterclockwise
Resistance Main	0 Ohms	Mounting	Round
Motor Orientation	Horizontal	Drive End Bearing	Ball
Opp Drive End Bearing	Ball	Frame Material	Rolled Steel
Shaft Type	Special Extension Both Sides	Overall Length	11.81 in
Frame Length	7.00 in	Shaft Diameter	0.500 in
Shaft Extension	1.54 in	Assembly/Box Mounting	F1 ONLY
Connection Drawing	A-EE9023T	Outline Drawing	A-SS400402-700



Ø.88  
KNOCKOUTS  
3 PLACES



TERM. END  
NAMEPLATE LOC. .25" BELOW  
CAPACITOR, .50" FROM EDGE OF  
FRAME @ 'C'. READ FROM LOC. 'C'.

∠.008 E

∠.008 E

TOT. ENCL.

DASH	C	AG
700	11.81	10.06
650	11.31	9.56

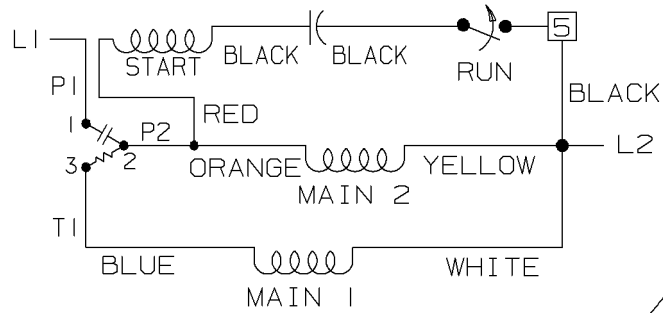
'W' = CLEARANCE ALLOWED FOR ALL  
VARIANCES IN MANUFACTURING & ASSEMBLY

NO.	REVISION	BY & DATE	CHK	ANG	TOLERANCES UNLESS SPECIFIED	FINISH	DRAWN MJD 04-30-1998			
								DEC.	INCHES	CHK ML 05-04-1998
4	UPDATED DRAWING	RJW 04-13-2007	.X	±.1	MARATHON ELECTRIC	TITLE OUTLINE 48 FRAME	APPD TOM 05-11-1998			
3	NEW CONDUIT BOX CN39440-3	RJW 01-13-2006	ML	.XX ±.03		SCALE 3=8				
2	REDRAWN IN AUTOCAD	TAT 06-13-2005	ML	.XXX ±.005	MAT'L.	REF	FMF			
1	NEW DRAWING MU19753	MJD 05-11-1998		.XXXX ±.0005		PREV				
					RFP	CAD FILE ss400402	SIZE A	DRAWING NO. SS400402	PAGE OF	REV. 4
					DIST WP					

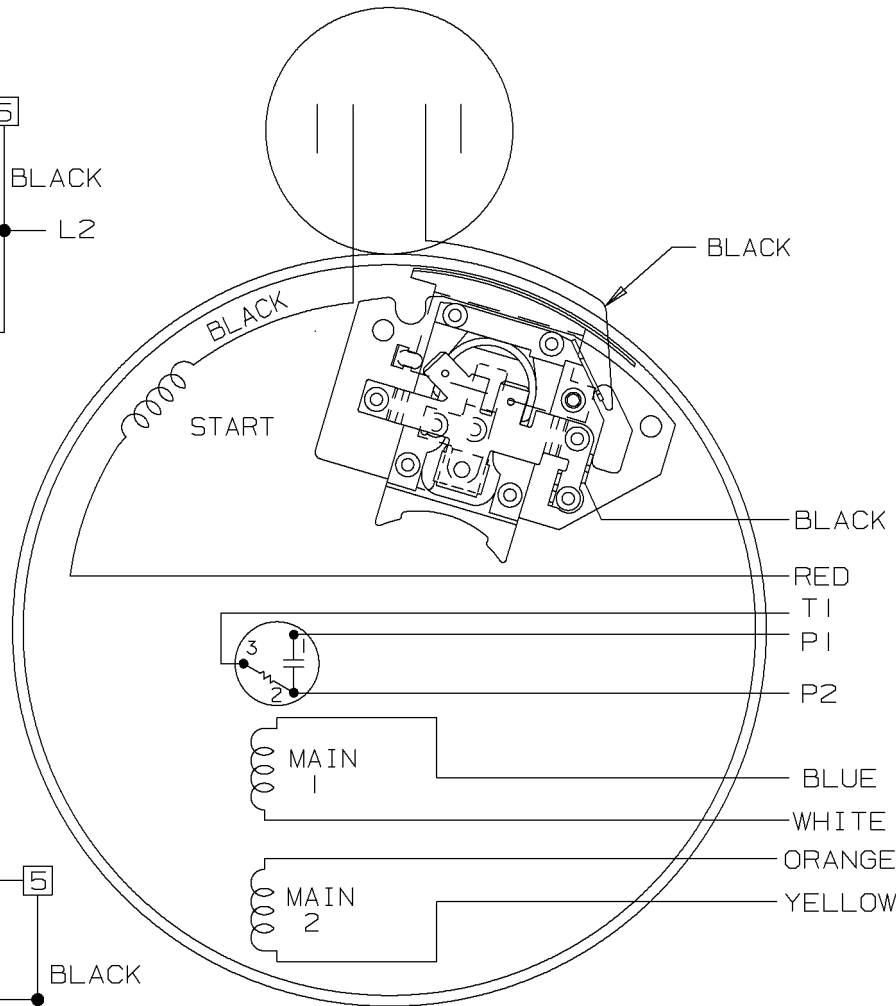
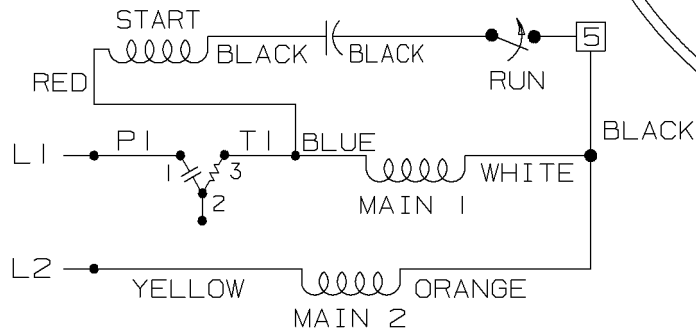
THIS DRAWING IN DESIGN AND DETAIL IS OUR PROPERTY AND MUST NOT BE USED EXCEPT  
IN CONNECTION WITH OUR WORK ALL RIGHTS OF DESIGN AND INVENTION ARE RESERVED  
THIS IS AN ELECTRONICALLY GENERATED DOCUMENT - DO NOT SCALE THIS PRINT

A- EE9023T

LOW VOLTAGE C.C.W.

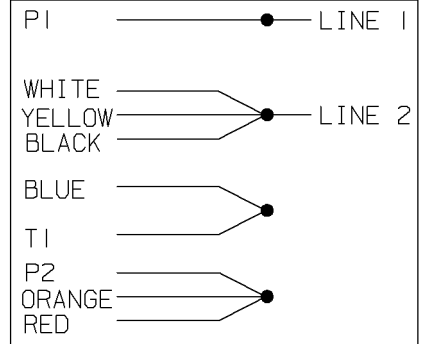


HIGH VOLTAGE C.C.W.

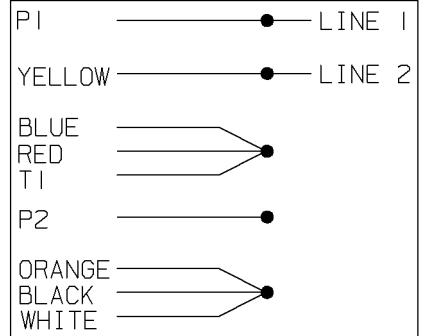


DUAL VOLTAGE  
CAPACITOR START  
OVERLOAD SELECT  
ROTATION

LOW VOLT. CCW ROT.



HIGH VOLT. CCW ROT.



FOR CW ROT. EITHER  
VOLTAGE INTERCHANGE  
RED WITH BLACK LEAD.

				✓ MAX. SURFACE ROUGHNESS UNLESS NOTED OTHERWISE	UNLESS OTHERWISE SPECIFIED DIMENSIONS ARE IN INCHES TOL. ON XX±    XXX±.005    XXXX±.0005    ANGLES±			
				MATL SPEC				DRAWN BY MJD 08-18-1998
				FINISH				CHKD BY ML 08-18-1998
1	08-18-1998	NEW DRAWING		MJD	REFERENCE DRW.	WAUSAU, WISCONSIN 54401		APPD BY GK 08-18-1998
REV	DATE	CHANGE		NAME			DRWG NO A- EE9023T	

SHOP BOOK

PURCHASED

DISTRIBUTION - WA - LB - WP - LM - BR

CADD FILE NO.

EE9023T

## EC Declaration of Conformity

The undersigned representing  
the manufacturer:

Regal Beloit America  
100 East Randolph St.  
Wausau, WI 54401

and the authorized representative  
established within the Community:

Marathon Electric UK  
6F Thistleton Road Ind. Estate  
Market Overton  
Oakham, Rutland LE15 7PP UK

are committed to providing customers with products that comply with applicable regulations and international protocols to which they are subject, including the requirements of the European Parliament Directive on the Harmonization of the laws relating to electrical equipment designed for use within certain voltage limits (2014/35/EU).

Regal Beloit America declares that the following product(s), to which this declaration relates, are in conformity with the relevant sections of the EC standards listed below.

This statement supersedes any statements previously issued pertaining to the product(s) listed below and is subject to change without notice.

Model No : 048C17F2001

(Model No. may contain prefix and/or suffix characters)

Catalog No : F202

Rework No : N/A

Directives :

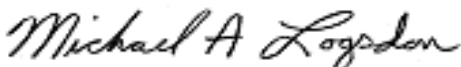
Low Voltage Directive 2014/35/EU

Harmonized Standards Used :

EN 60034-1: 2010 (IEC 60034-1: 2010)

EN 60034-5: 2001/A1:2007 (IEC 60034-5: 2000/A1:2006)

Authorized Representative:



Michael A. Logsdon  
Vice President, Technology

Authorized Representative in the Community:



Julian Clark  
Marketing Engineer

Created on 09/06/2022

**CE 22**